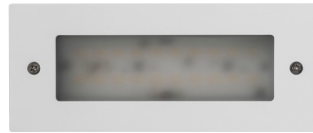
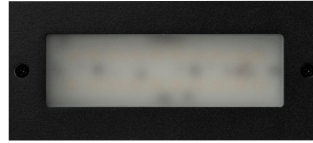


Bata 316 Stainless Steel Brick Lights

Name	Bata
Material	316 Stainless Steel Face + Aluminium Body
Colour	Stainless Steel or Poly Powder Coated Black or White
IP Rating	IP54
Colour Temp	<div style="display: flex; gap: 5px;"> <div style="width: 10px; height: 10px; background-color: #FFC000; border: 1px solid black;"></div> 3000k <div style="width: 10px; height: 10px; background-color: #ADD8E6; border: 1px solid black;"></div> 4000k <div style="width: 10px; height: 10px; background-color: #00B0F0; border: 1px solid black;"></div> 5000k </div>
IK Rating	IK06
Installation Type	Wall - Recessed
Diffuser Type	Glass
Cable Length	150mm
Lamp Base	Built in LED
Max Wattage	6w
Protection Class	12v DC = 3 (No Earth Required) 240v = 1 (Earth Required)
Lamp Expectancy	<30,000hrs*
CRI	CRI>80
Dimmable	No
Warranty	3 Years Replacement*



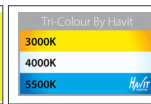
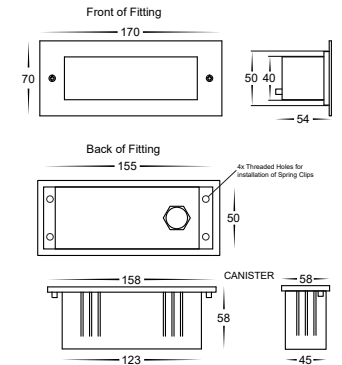
Canister



Mounting Clips for Gyprock Installation



Dimensions



Warranty Terms & Conditions



Website

Product Ordering

Image	Part Number	Colour Temp	Lumens	Input Voltage	Beam Angle	Included LED	Barcode
	HV3005T-SS316-12V	<div style="display: flex; gap: 5px;"> <div style="width: 10px; height: 10px; background-color: #FFC000; border: 1px solid black;"></div> 3000K <div style="width: 10px; height: 10px; background-color: #ADD8E6; border: 1px solid black;"></div> 4000K <div style="width: 10px; height: 10px; background-color: #00B0F0; border: 1px solid black;"></div> 5500K </div>	480lm 510lm 540lm	12v DC	120°	TRI Colour 6w Built in LED	9350418012159
	HV3005T-BLK-12V						9350418012166
	HV3005T-WHT-12V						9350418030559
	HV3005T-SS316-240V			240v AC			9350418035509
	HV3005T-BLK-240V						9350418035493
	HV3005T-WHT-240V						9350418035516

Optional Havit Compatible Accessories

Image	Number	Description
	12v DC LED Drivers	See Catalogue or Website for full range of 12v DC LED Drivers
	HV9971	Stainless Steel Maintenance Kit - Kit includes rejuvenating paste + Spray for final protection coating
	HV9911	Small IP67 Weatherproof Connector
	HV9912	Medium IP67 Weatherproof Connector
	HV9913	Large IP67 Weatherproof Connector

* See Warranty Terms & Conditions for More Information



Havit Lighting 143 Beauchamp Road, Matraville, N.S.W. 2036 | Phone: 02 9381 8300 | Fax: 02 9381 6661 | Email: sales@havit.com.au | Web: www.havit.com.au