

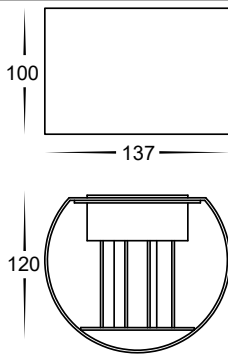
Versa Wall Light Installation Instructions



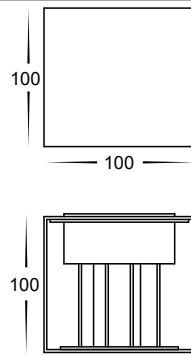
Product Specifications

Model No.	HV3658T-BLK-RND	HV3658T-WHT-RND	HV3658T-BLK-SQ	HV3658T-WHT-SQ	HV3658T-BLK-RND-12V	HV3658T-WHT-RND-12V	HV3658T-BLK-SQ-12V	HV3658T-WHT-SQ-12V
Name	Versa				Versa			
Material	Aluminium				Aluminium			
Installation Type	Wall - Surface Mounted				Wall - Surface Mounted			
Colour	Black	White	Black	White	Black	White	Black	White
IP Rating	IP65				IP65			
Protection Class	1 (240v Requires Earth) ⊥				3 (Low Voltage - No Earth Required) ⚡			
Input Voltage	240v AC				12v DC - Constant Voltage			
Lamp Base	Built in LED				Built in LED			
Lamp Wattage	2x 3w		2x 3w		2x 3w		2x 3w	
Colour Temp	TRI Colour - 3000k, 4000k, 5500k				TRI Colour - 3000k, 4000k, 5500k			
Lumens	2x 220lm, 2x 230lm, 2x240lm				2x 220lm, 2x 230lm, 2x240lm			
CRI	> 80				> 80			
Wiring	Parallel				Parallel			
Dimmable	Yes - Triac				No			
Warranty	3 Years Replacement*				3 Years Replacement*			

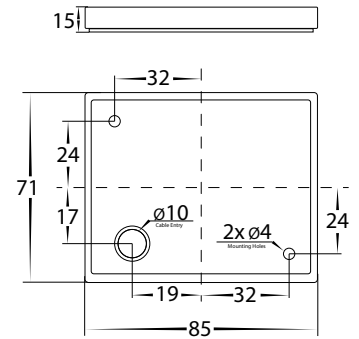
HV3658-RND Dimensions



HV3658-SQ Dimensions



Mounting Base Diagram



Important Safety Issues:

- This product must be installed by a qualified electrician according to AS/NZS 3000.
- Ensure all electrical mains are disconnected before any installation.
- Modification of this product will void any warranty.
- Havit Lighting does not take responsibility for wrong installation, incorrect use, or use of installation material that does not belong to the system.
- Aluminium and 304SS fittings must not be installed within 5km of any salt water environments.
- All o-rings and seals must be in place correctly to maintain warranty
- This form may be updated at any time due to product improvements, please check online installation form for most current version.
- For full Warranty Terms and Conditions scan QR Code Below.

Steps for Installation: 240v Model

1. Make sure that the electrical circuit is free of voltage (master switch off)
2. Remove cover from fitting and set aside
3. Remove base plate from fitting.
4. Loosen allen screws from side of fitting and remove base plate.
5. Install base plate to wall in desired location using appropriate screws for application.
6. Seal all holes including cable entry and around screws
7. Connect the cable - Use wire with earth; connect the earth first, then live and neutral wire.
8. Fitting is preset to 3000k, to change slide switch located inside base of fitting to desired colour temperature.
9. Reattach fitting to base plate making sure allen screws are tight to avoid any water penetration.
10. Apply silicon around edge of fitting to prevent any water from getting inside to electrical connections.
11. Slide cover onto baseplate
12. All connections must be carried out carefully, inspect all contacts before switching back on the electric circuit.
13. With Light switched on adjust beam angle by moving adjustable parts located on top and bottom of fitting.

Steps for Installation: 12v DC Models

1. Make sure that the electrical circuit is free of voltage (master switch off)
2. Remove cover from fitting and set aside
3. Loosen allen screws from side of fitting and remove base plate.
4. Install base plate to wall in desired location using appropriate screws for application.
5. Using appropriate 12v DC LED Driver, Connect the cable - Connect live and neutral wire (If more than one fitting installed, wiring must be done in parallel.)
6. Fitting is preset to 3000k, to change slide switch located inside base of fitting to desired colour temperature.
7. Seal all holes including cable entry and around screws
8. Reattach fitting to base plate making sure allen screws are tight to avoid any water penetration.
9. Apply silicon around edge of fitting to prevent any water from getting inside to electrical connections.
10. Slide cover onto baseplate.
11. All connections must be carried out carefully, inspect all contacts before switching back on the electric circuit.
12. With Light switched on adjust beam angle by moving adjustable parts located on top and bottom of fitting.

Must be installed by a licensed electrician

Contact Details:

143 Beauchamp Road
Matraville NSW 2036
Australia

Tel: 02 9381 8300
Fax: 02 9666 8881
Email: sales@havit.com.au
Web: www.havit.com.au

Warranty Terms & Conditions*



www.havit.com.au

